



Drain Doser Plus

DATA SHEET Page 1

● **DESCRIPTION:**

Programmable, biological dosing system housed in a wall mounted, stainless steel cabinet.



● **APPLICATIONS:**

For commercial kitchens to be installed either as a “stand alone” system or in conjunction with a grease separator such as a GMG Grease Master

● **MATERIAL:**

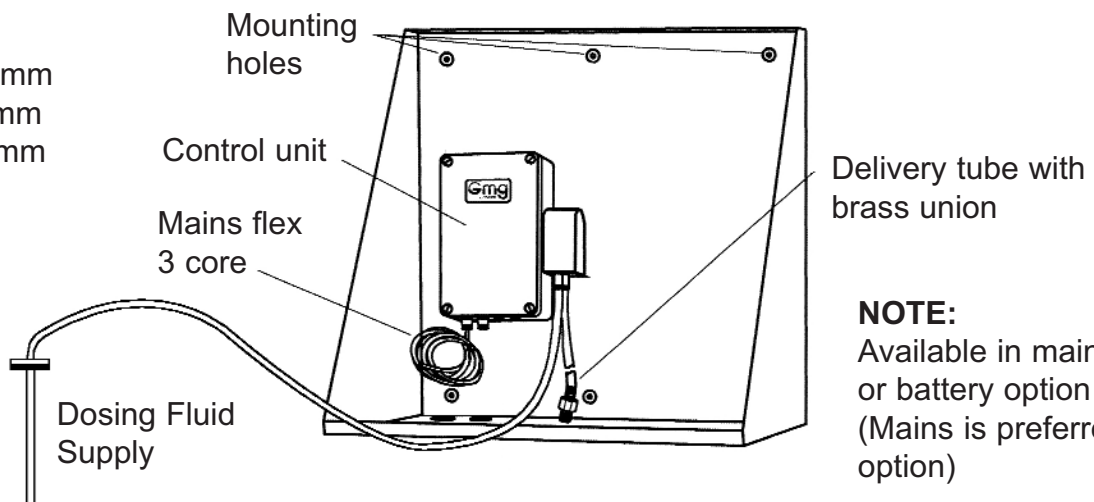
Laser cut, computer folded and fabricated in 304 stainless steel.

● **CONNECTIONS:**

Three core mains flex, plastic inlet tube to connect to dosing fluid container, delivery tube with brass union

● **SIZE:**

Height: 425mm
Width: 440mm
Depth: 225mm



NOTE:
Available in mains or battery option (Mains is preferred option)

GMG Limited

Tel: +44 (0)1926 432030 Email: info@greasemanagement.co.uk
www.greasemanagement.co.uk



Drain Doser Plus

DATA SHEET Page 2

● SITING THE UNIT:

The Drain Doser Plus is supplied with 4 metres of flexible PVC tubing to allow for convenient location.

● BENEFITS:

- Comprehensive dosing package for grease separators and drains.
- High quality stainless steel wall mounted enclosure.
- Neat and clean to match existing commercial kitchen fixtures.
- System supplied with a 12.5 litre bottle of Bacti-G and programmed for standard dose.
- Uses tried and tested components that require no maintenance.
- Tamper proof - nothing open to accidental damage.
- Bacti-G is fully enclosed to minimise risk of accidental spillage.
- Battery, mains operated and mains with BMS versions available to suit all situations.
- BMS version alerts power failure and liquid depletion.
- Supplied pre-programmed with all the necessary fittings required for installation.
- Supplied with full instructions for installation and re-programming if necessary.
- Can be fitted to new or existing installations.
- Negates unpleasant and time consuming manual dosing.

● CARE & MAINTENANCE:

REGULAR CARE AND MAINTENANCE IS ESSENTIAL

to ensure a long and trouble free service life.

GMG Limited operates a comprehensive care and maintenance service including digestion product supply and planned maintenance visits.

**Please contact our TECHNICAL SALES TEAM for
assistance in selecting the correct version for your
application**

GMG Limited

**Tel: +44 (0)1926 432030 Email: info@greasemanagement.co.uk
www.greasemanagement.co.uk**