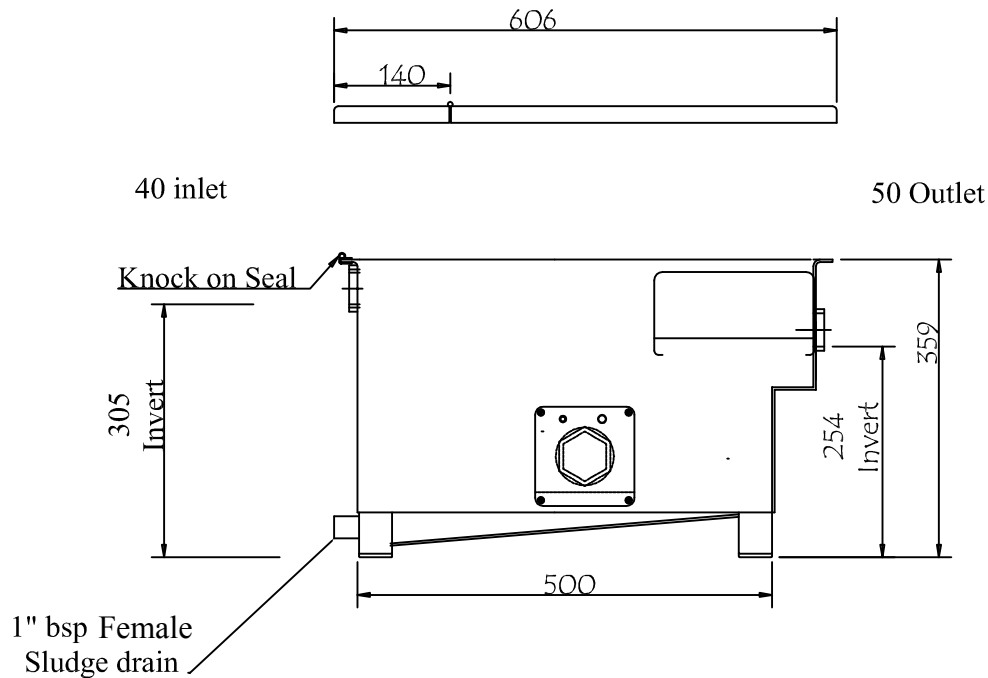
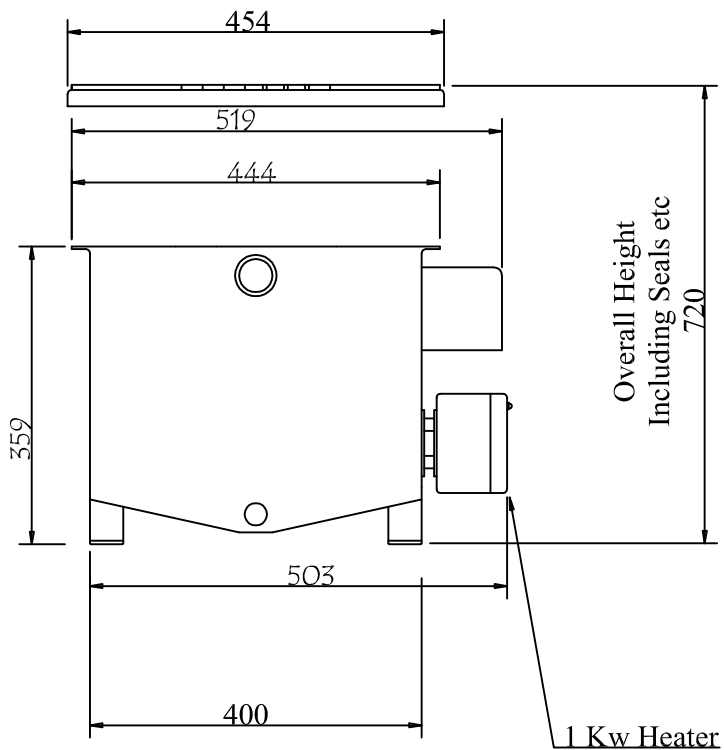




GMG Limited

Tel: +44 (0)1926 432030
 Email: jobs@greasemanagement.co.uk
 www.greasemanagement.co.uk

RevNo	Revision note	Date	Signature	Checked



Meets :- 1825 Part 2
Building Regulations 2002 Part H 2.2

Design Flow Rate :- 1 litre per second
 Operating temperature: - 40°C
 Power requirement :- 240v 1k.w.
 Dry weight 35 kg Operating Weight 42 Kg

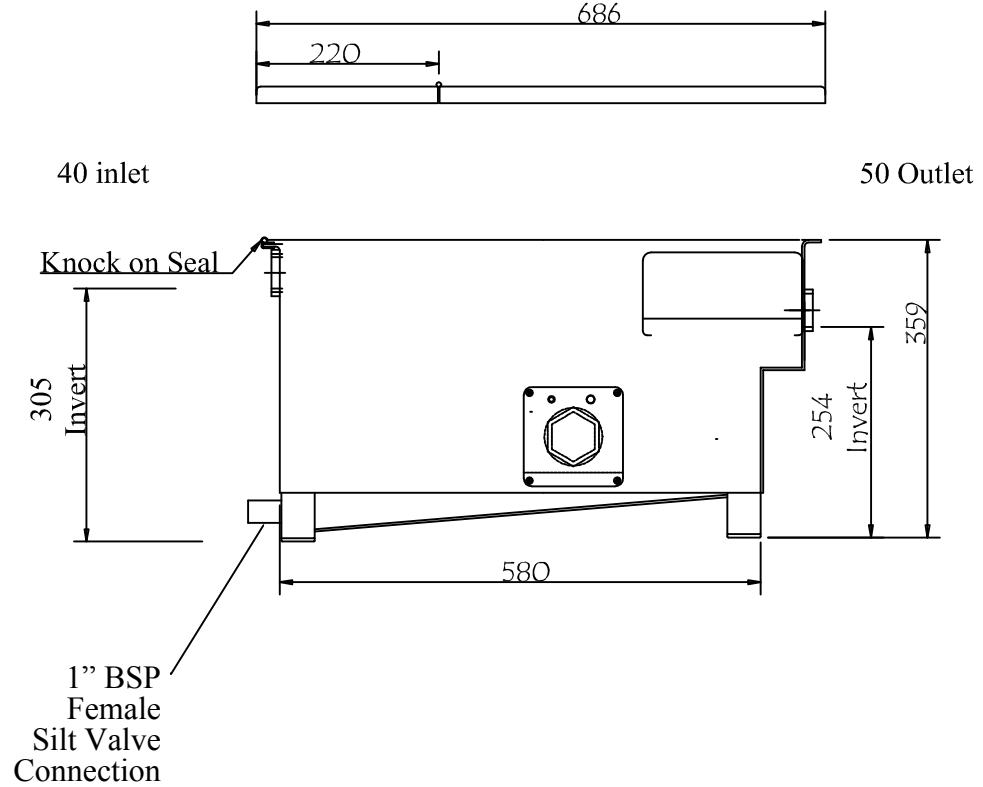
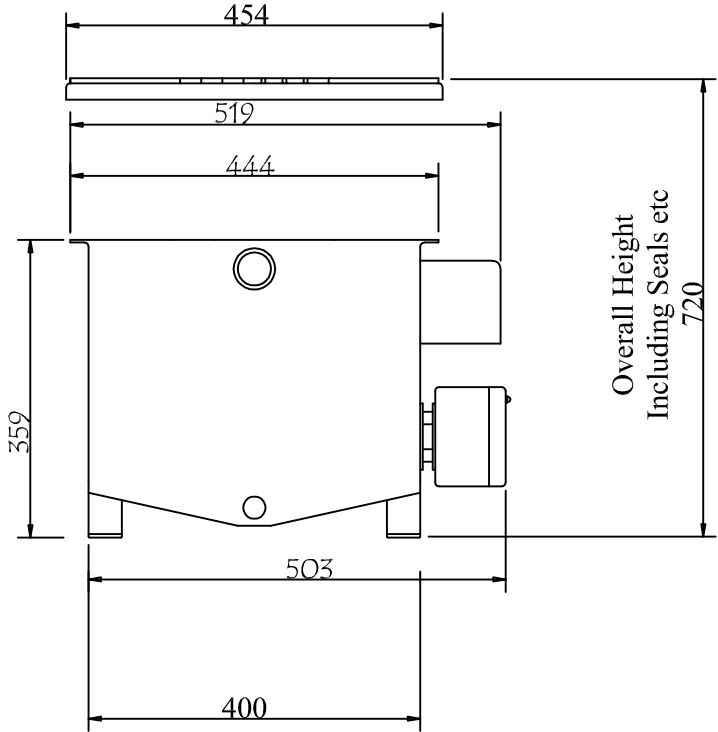
Itemref	Quantity	Title/Name, designation, material, dimension etc			Article No./Reference	
DESIGNED_BY	CHECKED_BY	APPROVED_BY_DATE	FILENAME	DATE	SCALE	
GREASE RECOVERY UNIT				GRU1		
DRAWING_NUMBER				Edition EDITION	Sheet SHEET	



GMG Limited

Tel: +44 (0)1926 432030
 Email: jobs@greasemanagement.co.uk
 www.greasemanagement.co.uk

RevNo	Revision note	Date	Signature	Checked



Design Flow Rate :- 1 litre per second
 Operating temperature: - 40°C
 Power requirement :- 240v 1k.w.

Dry weight 36kg Operating Weight 43 Kg

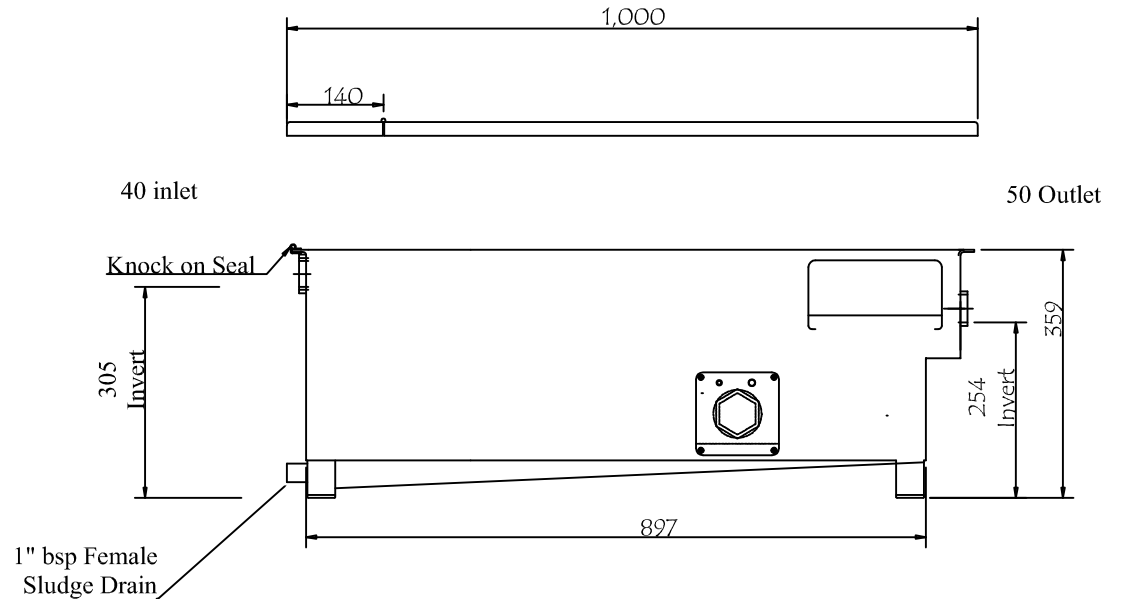
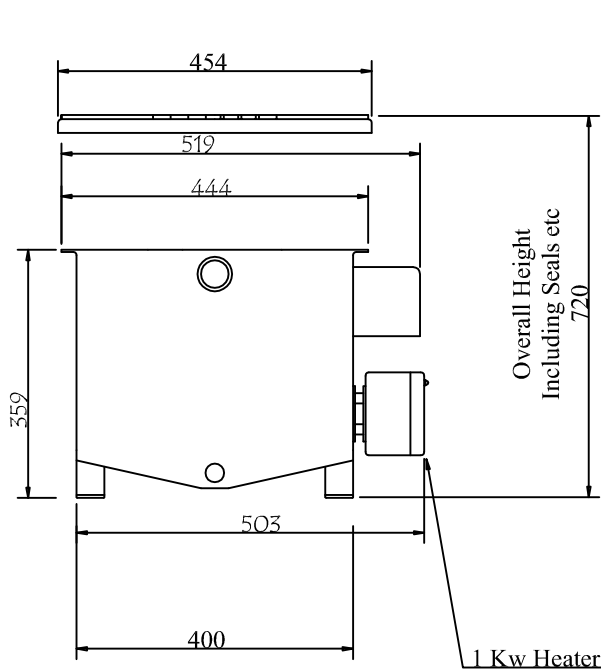
Itemref	Quantity	Title/Name, designation, material, dimension etc			Article No./Reference	
Designed by	Checked by	Approved by - date	Filename	Date	Scale	
DESIGNED_BY	CHECKED_BY	APPROVED_BY_DATE	FILENAME	DATE	SCALE	
GREASE RECOVERY UNIT				GRU2		
DRAWING_NUMBER				Edition	Sheet	
				EDITION	SHEET	



GMG Limited

Tel: +44 (0)1926 432030
 Email: jobs@greasemanagement.co.uk
 www.greasemanagement.co.uk

RevNo	Revision note	Date	Signature	Checked



Meets :- 1825 Part 2
Building Regulations 2002 Part H 2.2

Design Flow Rate :- 1.5 litre per second
 Operating temperature: - 40°C
 Power requirement :- 240v 1k.w.

Dry weight 38 kg Operating Weight 50 Kg

Itemref	Quantity	Title/Name, designation, material, dimension etc			Article No./Reference	
Designed by A.O.	Checked by CHECKED_BY	Approved by - date APPROVED_BY_DATE	Filename FILENAME	Date 05/08/2005	Scale SCALE	
GREASE RECOVERY UNIT				GRU3		
				GRU125	Edition EDITION	Sheet SHEET

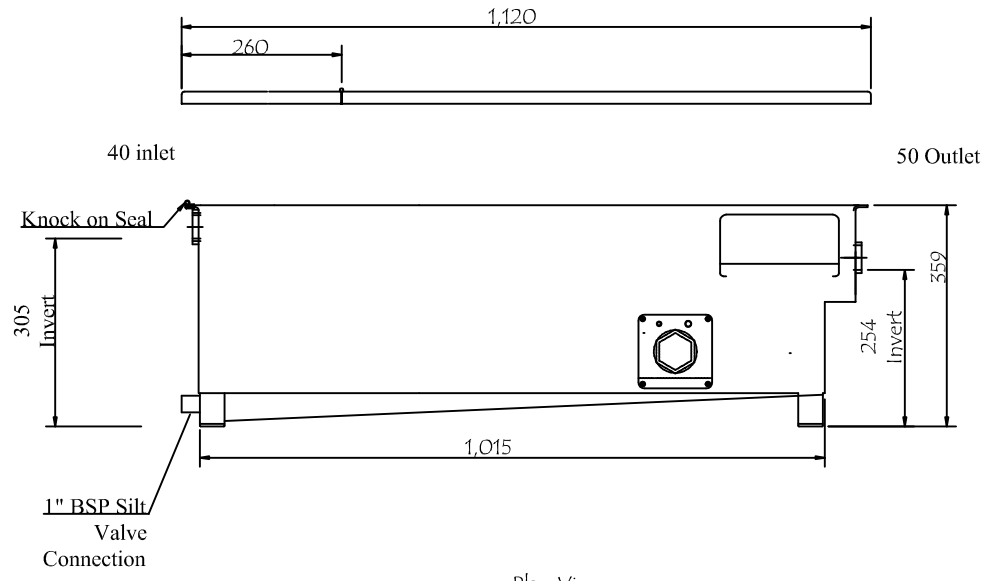
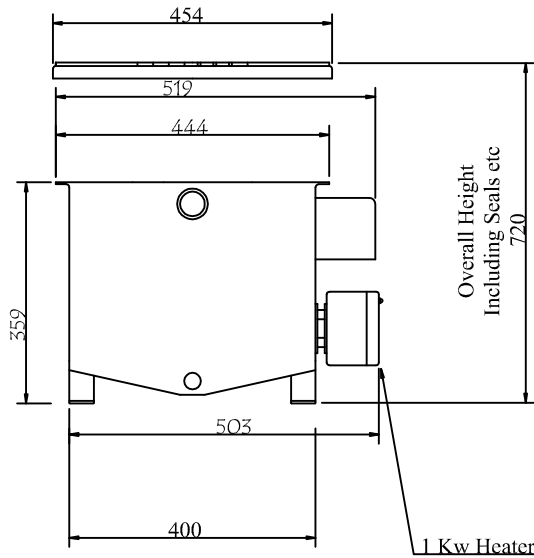


GMG Limited

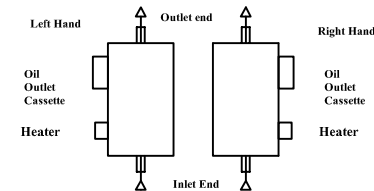
Tel: +44 (0)1926 432030
 Email: jobs@greasemanagement.co.uk
 www.greasemanagement.co.uk

				Checked

Area to be left clear for Basket removal



Plan View



Design Flow Rate :- 2 litre per second
 Operating temperature: - 40°C
 Power requirement :- 240v 1k.w.

Dry weight 40 kg Operating Weight 55 Kg

Itemref	Quantity	Title/Name, designation, material, dimension etc			Article No./Reference	
Designed by A.O.	Checked by CHECKED_BY	Approved by - date APPROVED_BY_DATE	Filename FILENAME	Date 10/10/2011	Scale SCALE	
GREASE RECOVERY UNIT				GRU4		
				GRU125		Edition EDITION