



Filter Shield



'not all blockages are caused by Fats, Oils & Grease'



Café's

Coffee Shops

Deli's

Commercial Kitchens

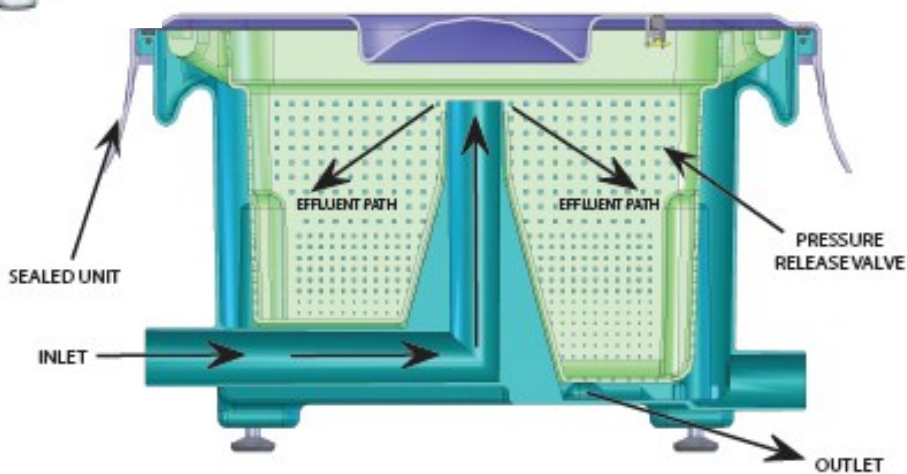
Pot-wash & Pre-rinse Sinks

Vegetable Prep Sinks

Potato Rumbler/Peelers

Installed under sinks, the Filter Shield traps solid food waste.

The top of the Filter Shield must be at least 40mm below the bottom of the sink bowl or flow problems will result. A stand is available please ask for details.



Coffee Grinds



Potato Peelings



Vegetable Peelings



A combination of grease and dairy waste

GMG Limited Eaton Works, Althorpe Street, Leamington Spa, Warwickshire. CV31 2AU

Phone: +44 (0)1926 432 030

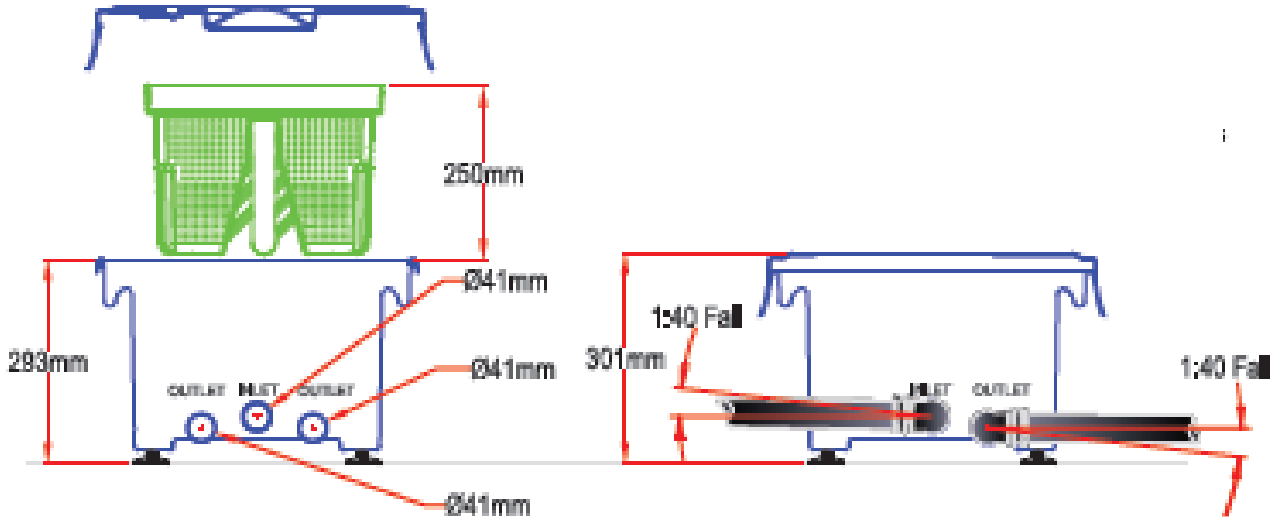
Fax: 01926 432 050

www.grease-management.co.uk

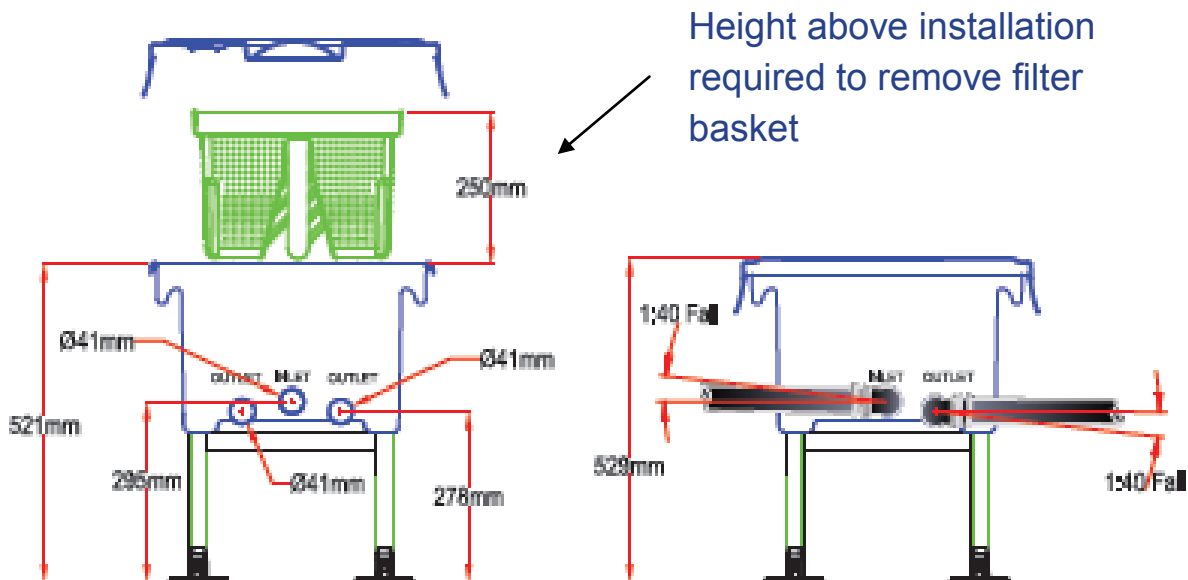
info@grease-management.co.uk

Filter Shield

'not all blockages are caused by Fats,



Different filter mesh sizes are available, please call for details



NOTE—The Filter Shield must be installed with its lid 40mm below the bottom of the sink. Please call for further explanation.

GMG Limited Eaton Works, Althorpe Street, Leamington Spa, Warwickshire. CV31 2AU

Phone: +44 (0)1926 432 030

Fax: 01926 432 050

www.greasemanagement.co.uk

info@greasemanagement.co.uk