



GreaseShield® 1000 PF

Approvals

ASME A112.4.3-2000 Testing of Grease Interceptors, ASME A112.4.4-2001 Grease Removal Devices, CSA B481.0-2012 Testing of Grease Interceptors, CSA B481.1-2012 Testing and Rating of Grease Interceptors using Lard, CSA B481.5-2012 Testing and Rating of Grease Interceptors Equipped with a Grease Removal Device & PDI G 101. UL Approved (File No: E361705). Machinery Directive 2006/42/EC and EMC directive 2004/108/EC.

Flow Rates

Passive PDI = 2GPM/7.571 L/m

Pro Active = 1.2 L/S

Application

10 to 12 Steam Combi Ovens only. If sink units are plumbed in then fit a PF or F. Do not exceed the rated flows.

Functions & Features:

Pre Filter

Anti-Flood Pump - To maintain normal water level + recalibration feature.

Water Connection - Water Solenoid WRAS approved (or similar approval).

CIP Bar

Pressure Switch & Air Sensor.

Parts Supplied as Standard.

Vortex Flow Controller - Fitted as standard.

FlexiPlumb :- 34mm 90° bend(0635P02-34), 54mm 90° bend(0635P02-54)Blanking Cap(0635P10), Key(0509P86). ¼" Braided Hose For Hot Water (0214P15)

Plumbing Pack –see note

Default Program: (V5.4, V1.4)

Start 7.00 Am, Stop 02.30 Am. FOG - Pulsing 5 Min On 5 min off. An anti-Flood and Recalibration cycle, when water intake is activated FOG roller is inhibited. Mains lead per country.

Installation Kit:

Stainless Steel 304 hygiene and service access adjustable stand essential for installation.

IP56 Socket. Best Practice Management and Do's and Don'ts, both laminated to be displayed on site. Daily Maintenance Logbook (12 months).



Note Re Plumbing Pack

Water Spray gun and hose for connection to WRAS approved (or similar approval) connection (or equivalent) for service.

Sampling Point.

Labelling:	Ratings:	EU:	US:
Voltage per country.	Voltage:	240 Volts	120 Volts
Flow Rate per country.	Frequency:	50Hz	60Hz
Labels per country.	Current:	0.75Amps	1.5Amps
Labels per Distributor.			

Average Power Consumption /Hour 15.1 Watts.

Notes: All FlexiPlumb to be supplied with jubilee clip fasteners.

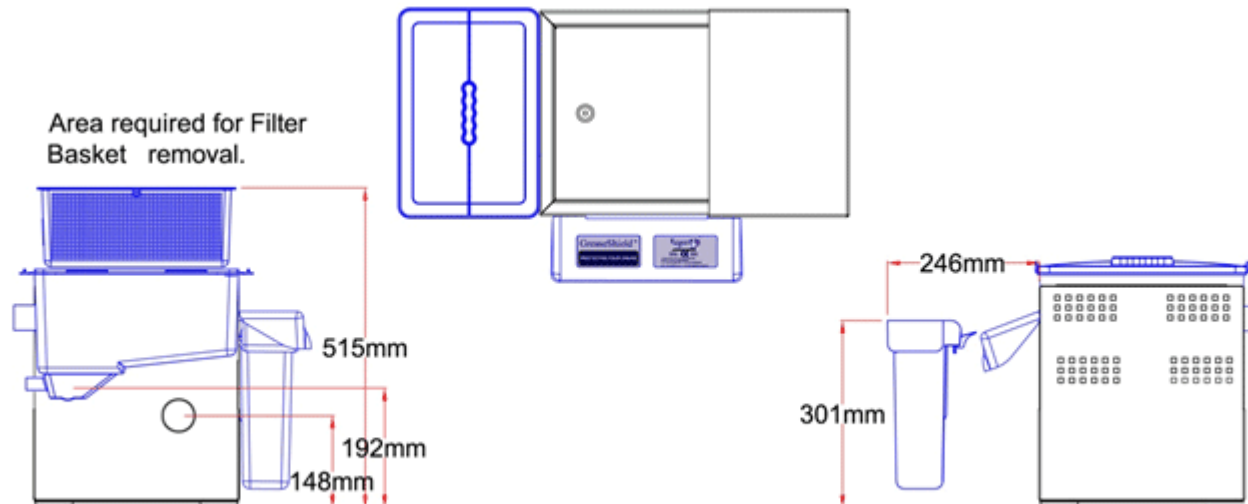
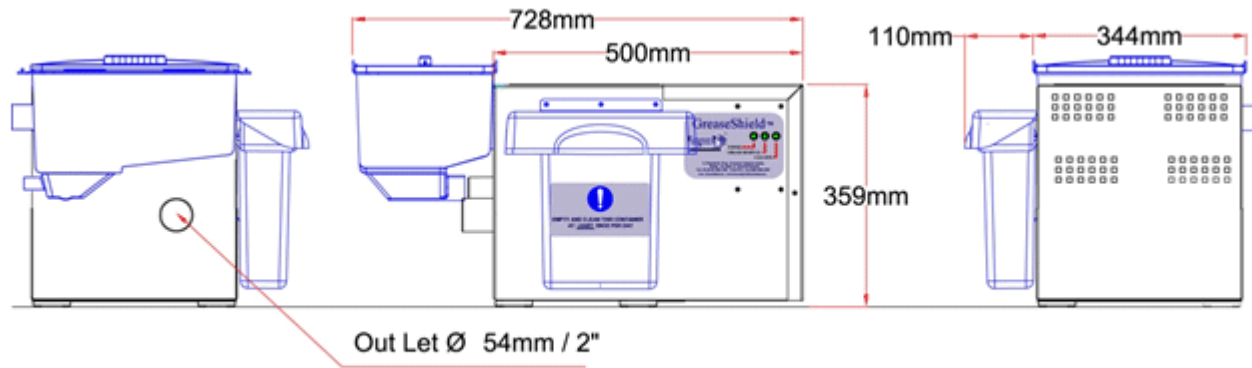
VFC= Vortex Flow Controller.

AST = Automated Solids Transfer.

UK Installs: AQUACHECK 15DN (WRAS Certified) or equivalent double check valve to be fitted to water supply on ALL GreaseShield® (STD Range Models) to conform with WRAS back flow prevention.

GMG Limited

Tel: +44 (0)1926 432030 Email: jobs@greasemanagement.co.uk www.greasemanagement.co.uk



GMG Limited

Tel: +44 (0)1926 432030 Email: jobs@greasemanagement.co.uk www.greasemanagement.co.uk