

Approvals

ASME A112.4.3-2000 Testing of Grease Interceptors, ASME A112.4.4-2001 Grease Removal Devices, CSA B481.0-2012 Testing of Grease Interceptors, CSA B481.1-2012 Testing and Rating of Grease Interceptors using Lard, CSA B481.5-2012 Testing and Rating of Grease Interceptors Equipped with a Grease Removal Device & PDI G 101. UL Approved (File No: E361705). Machinery Directive 2006/42/EC and EMC directive 2004/108/EC.

Flow Rates

Passive PDI =7GPM/26.5 L/m

Pro Active=1.8 L/S

Application

Pot Wash & Pre Rinse Double Bowl Sinks. Do not exceed rated in-flows.

Functions & Features:

PreFilter. As Standard for Solids Control.

Recirculation - Surface of water spray function to enhance FOG removal and clean outlet weir area.

Service Function - With Service hose. Press and hold button for 5 seconds to operate. Ensure safe disposal. Refer to service manual.

Vortex Flow Controller - Fitted as standard.

Running Trap - 54mm Running trap fitted on outlet as standard.

No Potable Water Connection

No CIP Bar

Other Parts Supplied as Standard

FlexiPlumb: - 54mm 90° bend (0635P02-54), 34mm 90° (0635P02-34), 34mm Blanking Cap (0635D10-34) Key (0509P86).

Plumbing Pack-see Note

Default Program: (V1.0 ECO.)

Start 7.00 Am, Stop 02.30 Am. FOG + Auger- Pulsing 5 Min On 5 min off. Recirculation - 10 seconds on, every 90 seconds in each 5 min cycle. Service Function - Manual button at the rear of machine is for service in conjunction with service grey hose. Ensure approved container for accepting the effluent discharge is in place. Mains lead per country.



Installation Kit:

Stainless Steel 304 hygiene and service access adjustable stand essential for installation. IP56 Socket.

Best Practice Management and Do's and Don'ts, both laminated to be displayed on site. Daily Maintenance Logbook (12 months).

Note Re Plumbing Pack:

Water Spray gun and hose for connection to WRAS approved (or similar approval) connection (or equivalent) for service.

Sampling Point.

Spare filter basket.

Labelling:

Voltage per country.

Flow Rate per country.

Labels per country.

Labels per Distributor.

Ratings:

Voltage:

Frequency:

Current:

EU:

240 Volts

50Hz

0.75Amps

US:

120 Volts

60Hz

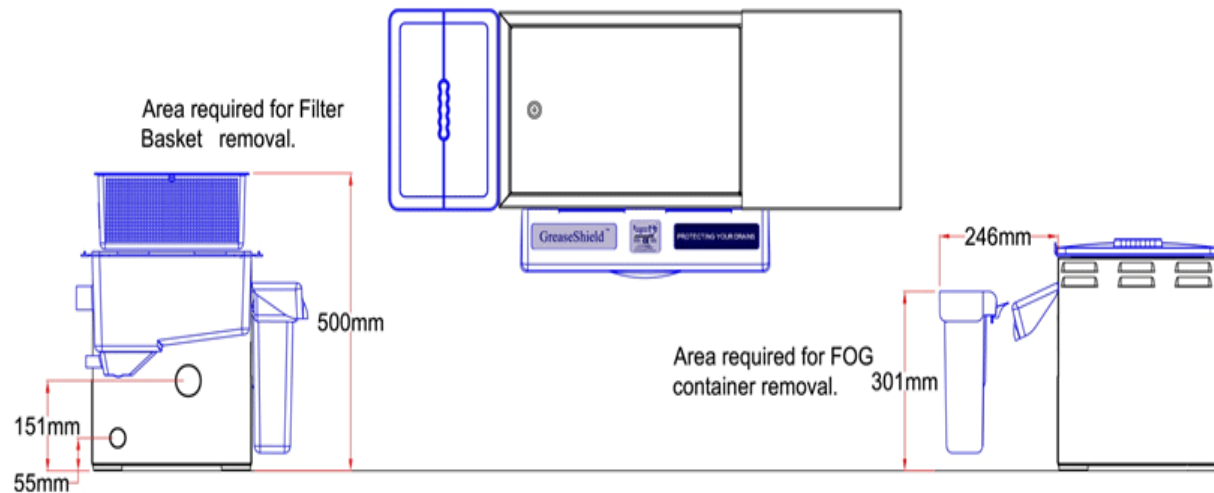
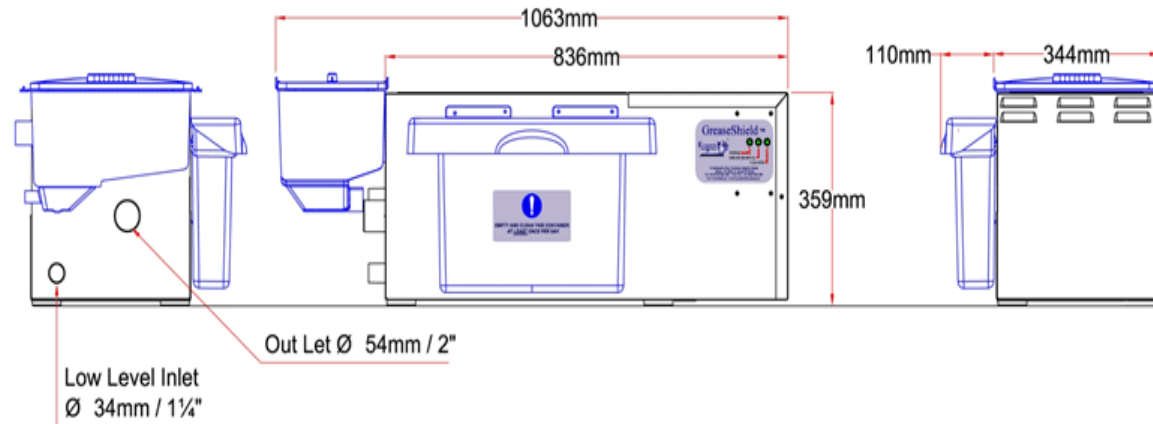
1.5Amps

Average Power Consumption /Hour 16.0 Watts.

Notes: All FlexiPlumb to be supplied with jubilee clip fasteners. VFC= Vortex Flow Controller.

GMG Limited

Tel: +44 (0)1926 432030 Email: jobs@greasemanagement.co.uk www.greasemanagement.co.uk



GMG Limited

Tel: +44 (0)1926 432030 Email: jobs@greasemanagement.co.uk www.greasemanagement.co.uk