



Sediment Master Sediment Interceptor

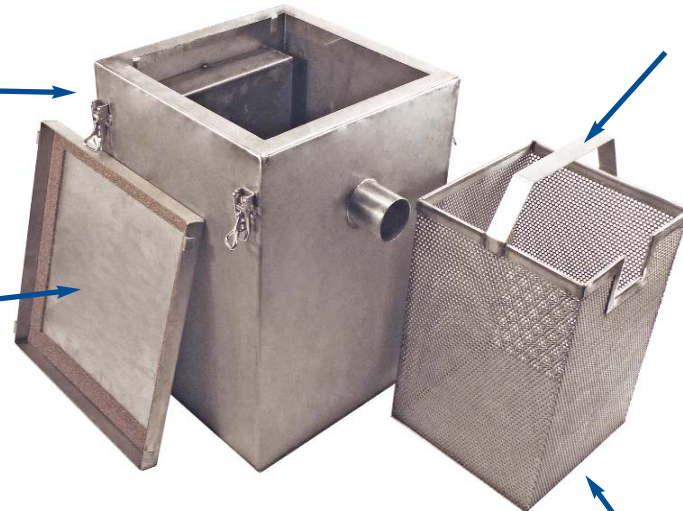
DATA SHEET Page 1

● **DESCRIPTION:**

Stainless steel, sediment / coffee grounds interceptor with fully sealed lid.

All Stainless construction

Clip Top lid with cork seal for ease of access



Allow 400mm clearance above unit for removal of Sediment Basket

● **APPLICATIONS:**

For installations in commercial kitchens at or near the sinks. Designed to intercept food waste or coffee grounds at source. Also suitable as a low volume grease separator - Specify CM30 version

SM30 version supplied with Sediment Basket

● **MATERIAL:**

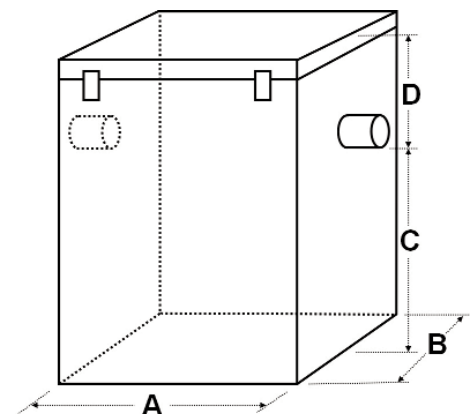
Laser cut, computer folded and fabricated in 304 stainless steel.

● **CONNECTIONS:**

Inlet and outlet connections are 2" diameter spigots. Unit is supplied with 2 x 2" flexi-couplers for compatibility with any 2" pipework.

● **SIZES:** mm unless otherwise indicated

	In/Out ø	A	B	C	D	Application
CM30	2"	310	340	275	135	Coffee Interceptor
SM30	2"	310	340	275	135	Sediment Interceptor inc. filter basket



GMG Limited

Tel: +44 (0)1926 432030 Email: info@greasemanagement.co.uk
www.greasemanagement.co.uk